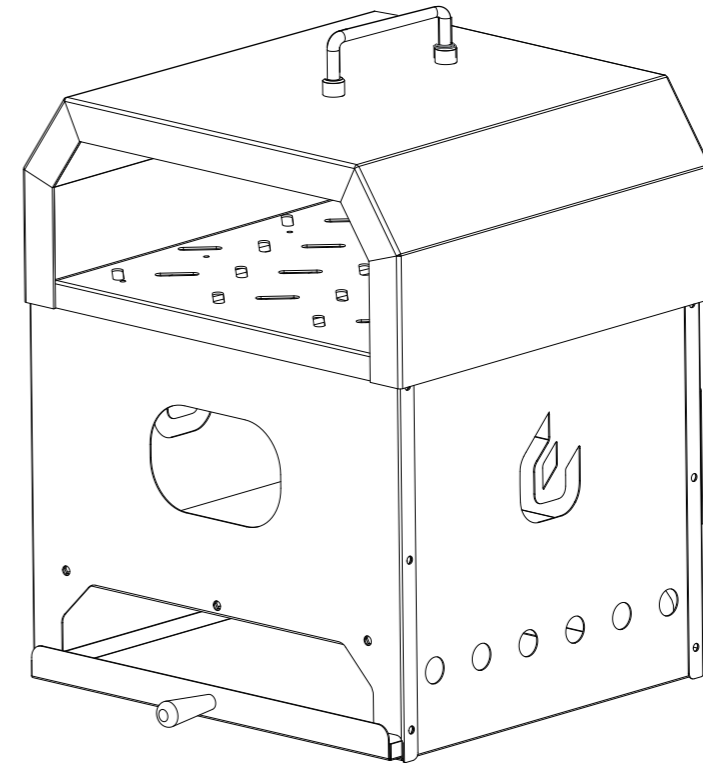


PIZZELL

THE ARTISANS OF PIZZA



PIZZA OVEN USER MANUAL

For Model **X50004**



Size(W/ D/ H): 36*34*48 CM/ 14.7*13.4*18.9INCH

Oven weight: 9.75 KG/ 21.51 LBS

Oven floor area: 0.12 m² / 1.29 ft²

Max oven temp: 300°C / 752°F

Important: Retain these instructions for the future use.

Warranty.....	1
Safety Legal Disclaimer.....	1
Table of contents.....	2
Assembly Instructions.....	3-7
Fuel Choice.....	8

**For any queries or assistance mail
Promise to responded within 24 hours**



Customer Service
service@pizzellooven.com

These information may be required under
the 12 months warranty.

Product Model:

Order ID:

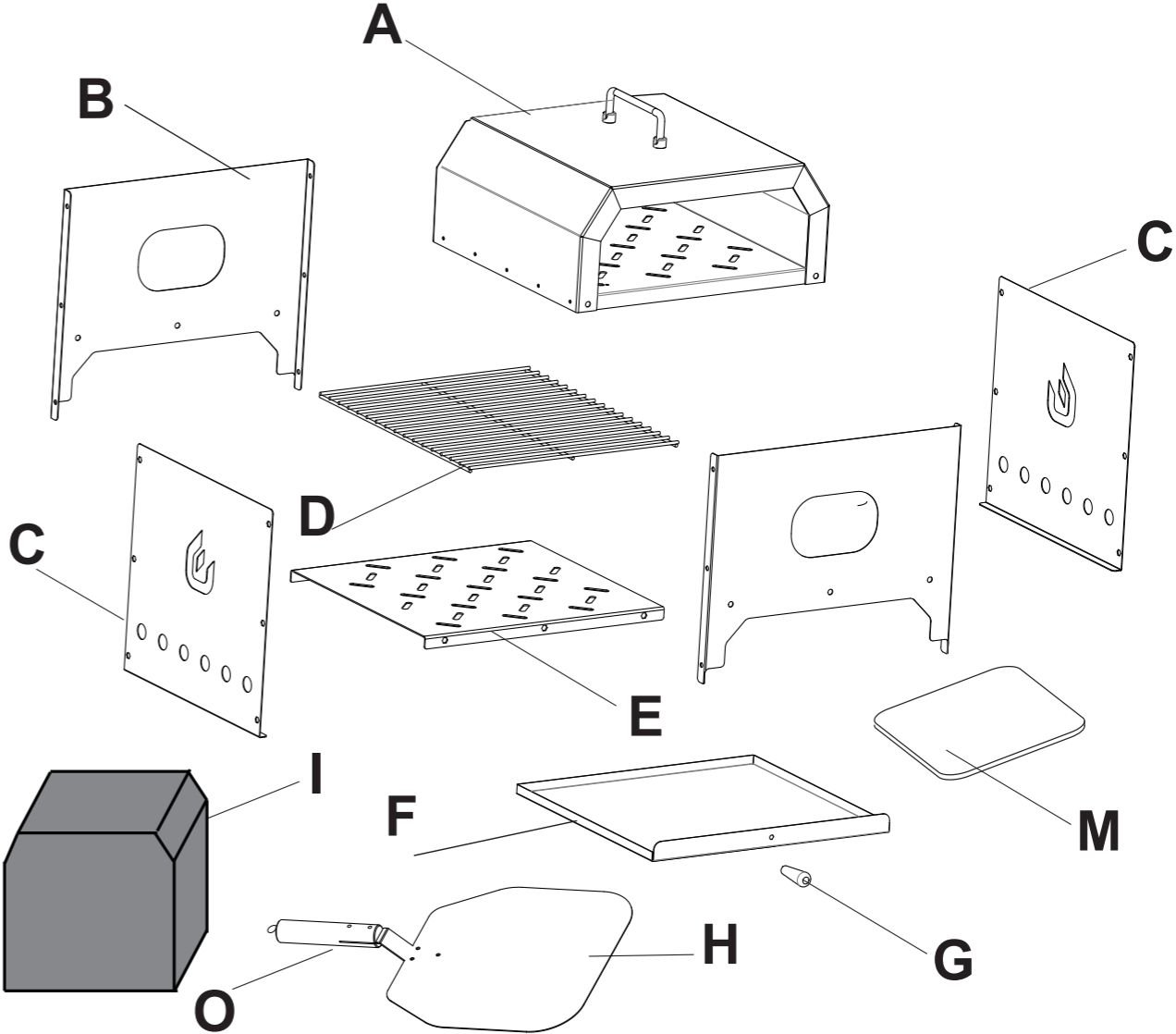
Purchase date:

Safety Legal Disclaimer

All instructions and guidelines in this manual must be strictly followed.

- 1. Pizzello is only intended for usage outside. It must always be placed outside, away from structures, and never inside a building, garage, or near any enclosed space. Keep your oven clean and free of flammable or combustible items, fuel, and other flammable vapours and liquids by placing it on a solid, level, stable, and non-flammable surface.**
- 2. Be aware of any local laws or regulations that may demand a certain distance between outdoor cookers and structures, or that may restrict outside cooking of any kind during drought or hazardous times.**
- 3. Do not use or install your Pizzello in or on boats or recreational vehicles.**
- 4. Never use your Pizzello in strong winds.**
- 5. Your Pizzello is not designed to be a heater and should never be used as one.**
- 6. Toxic fumes can build up and induce asphyxiation.**
- 7. Flames can fly outside the metal enclosure from the following locations:**
 - a. in the back where the fire is;**
 - b. from the top of the hatch when the lid is opened;**
 - c. from the front of the oven when the door is opened;**
 - d. from the top of the chimney.**
- 8. Please avoid the Pizzello's ventilation and other small openings and notify those near you.**
- 9. Improper installation, adjustment, modification, repair, or maintenance of your Pizzello may result in personal injury or property damage. As a result, do not use your Pizzello until it has been entirely assembled and all pieces have been securely connected and tightened.**
- 10. You should inspect your Pizzello on a regular basis.**

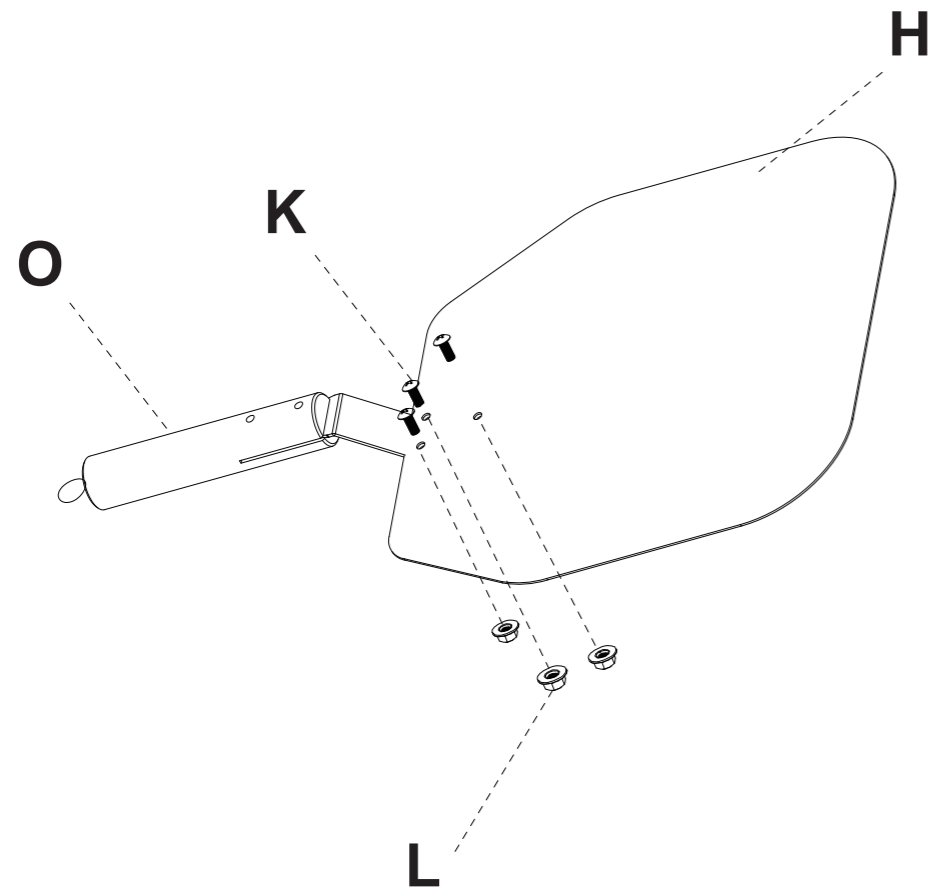
TABLE OF CONTENTS



Ref	Part	Quantity	Ref	Part	Quantity
A	Body	1	G	Tray Handle	1
B	front and back Plate	2	H&O	Pizza Peel	1
C	Side Plate	2	I	Cover	1
D	Cooking Grid	1	J	Screw M5*12	18
E	Charcoal Pan	1	K	Screw M4*12	3
F	Tray Pan	1	L	Nut M4	3
M	Pizza Stone	1	N	Screw M6*8	1

Assembly Instructions

Step 1 Assemble the peel pan with the wood handle with 3 screws (K) and nuts (L).



Fuel Choice

Pizza oven fuel choice:



Firewood



Charcoal



Wood Pellet

How much FUEL you need put in?



For Firewood Choice

- We recommend using one layer of wood with a maximum height of 3cm.



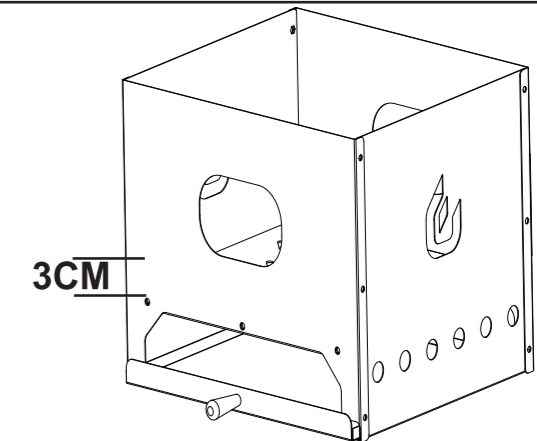
For Charcoal Choice

- We recommend using 1-2 layers with a MAX weight of 2.2-2.64 lbs (around 3-4 pieces of charcoal)



For Wood Pellet Choice

- We recommend using about 2.2-2.64 lbs Wood Pellet in MAX weight.

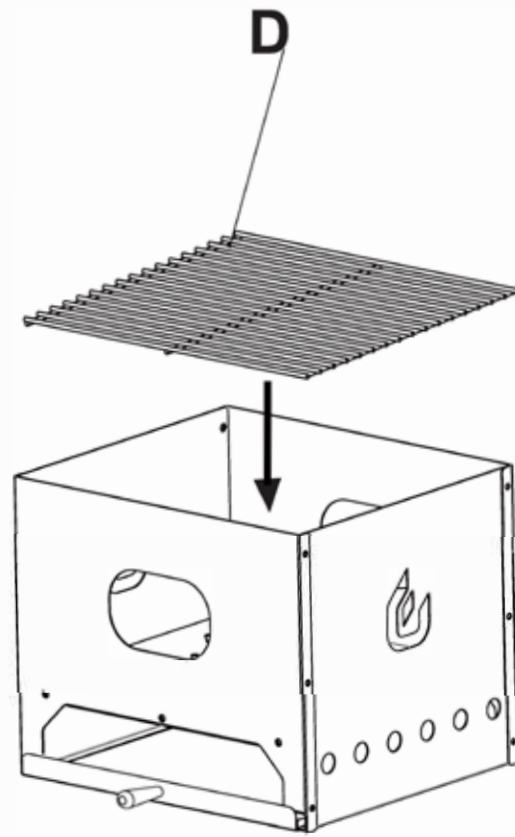


NOTE:The amount of fuel needs to be adjusted according to the actual situation.

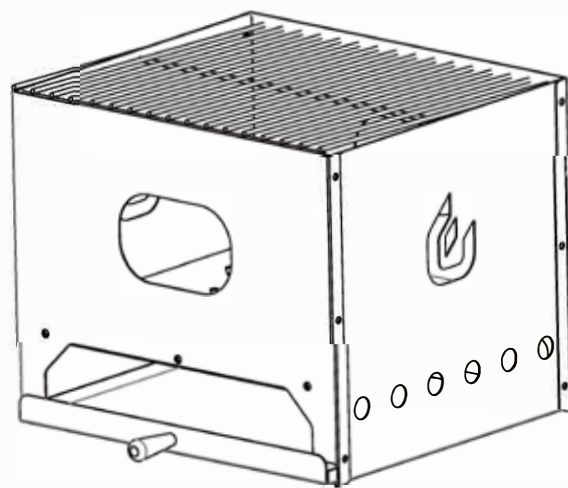
NOTE:

TIPS : How to use the grill?

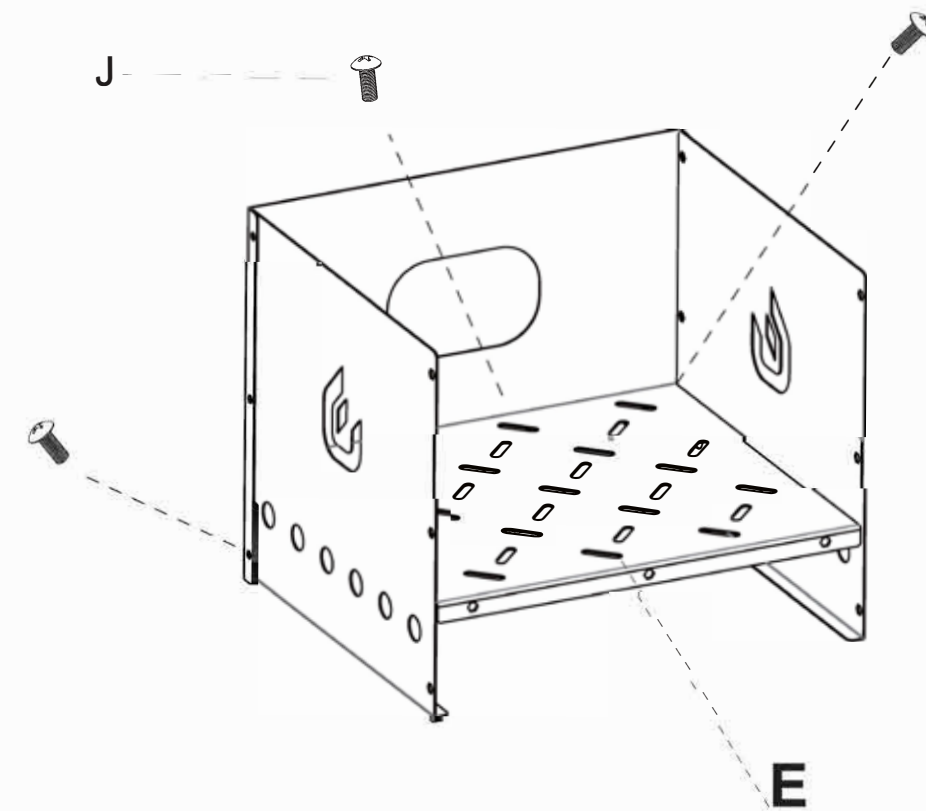
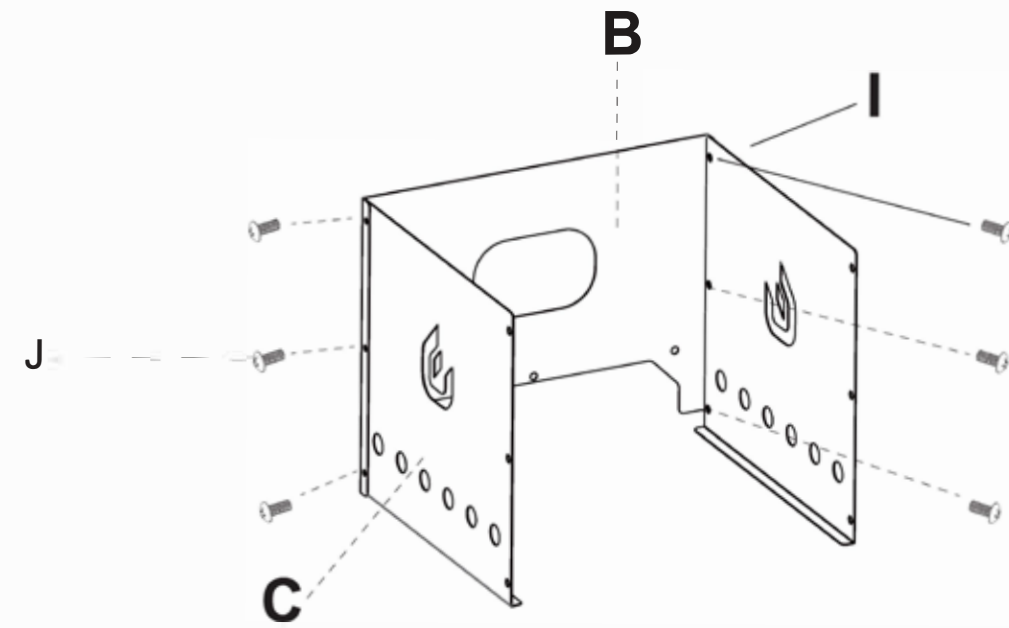
- Remove pizza body A
- Put on the cooking grill D on top.



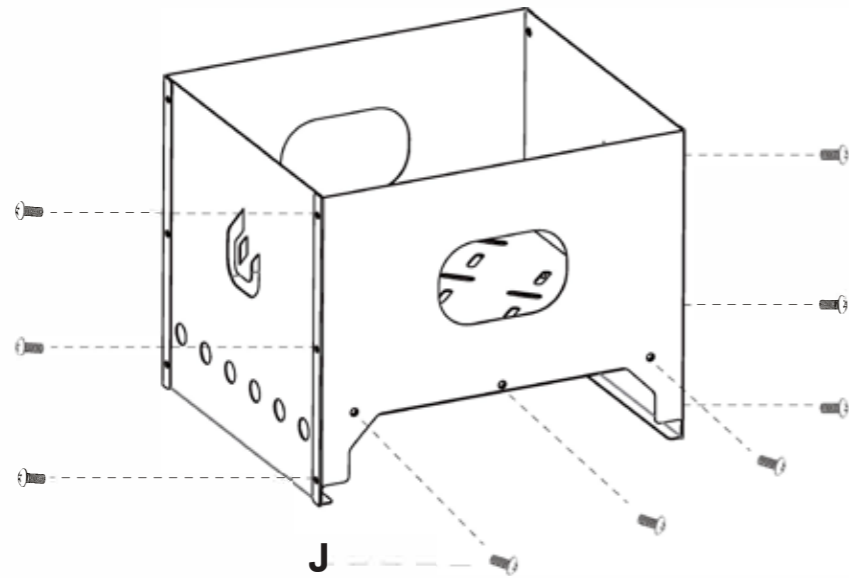
Now you are ready for cooking.



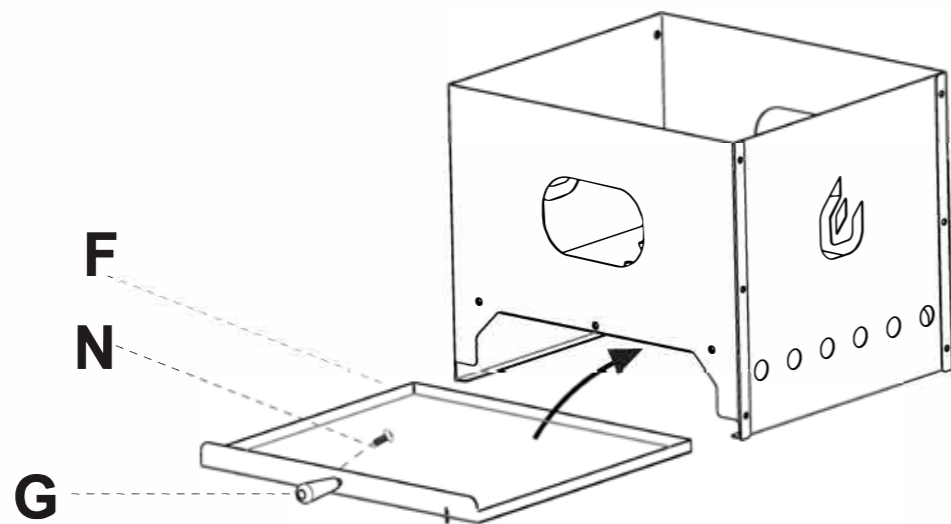
Step 2 Assemble the 2 side plates C to 1 of the plates with handle hole B with 6 screws J. Then affix the Tray Plate E to the side plates.



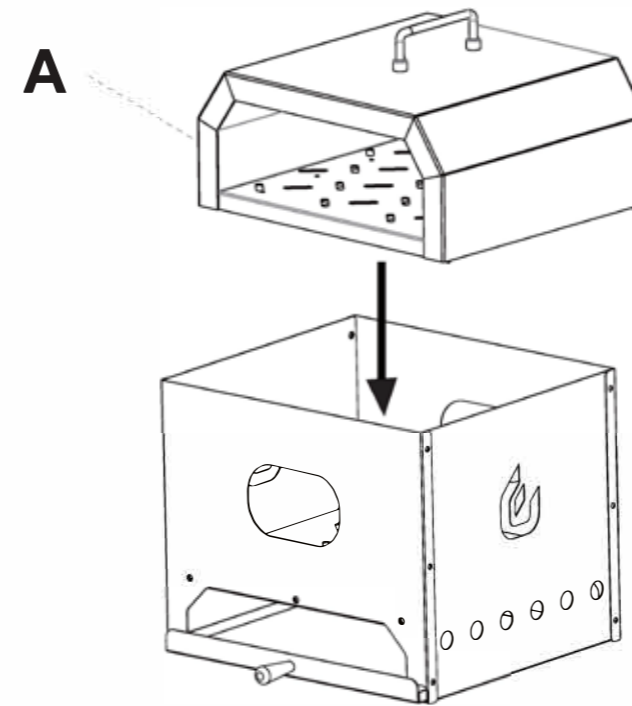
Step 3 Assemble the other plate with handle hole B to the side plates with 9 screws J.



Step 4 Install the handle G to the ash tray F with 1 screw N, then install the ash tray into the body.



Step 5 Put the pizza body A on top, and place the M pizza stone in the oven. Then you can use the pizza oven.



 **WARNING:** Don't put the top handle down while using the pizza oven.





